

SONDAR Ultrasonic Level Meter SONDAR2000

SONDAR



The SONDAR2000 is a highly developed ultrasonic level measurement system which provides non-contacting level measurement for a wide variety of applications in liquids.

The unit offers not only dual points level but also differential level monitoring.

The relays and mA outputs may be used as preset (or programmed as desired) to activate alarms and/or operate remote monitoring equipment and/or process control. The SONDAR2000 has an IP65 lid covering an integral LCD display and 5 buttons used for programming purpose. The SONDAR2000 also has two independent current outputs and chooses display options among Level1, Level2, Level1-Level2, Level2-Level1 and (Level+Level2)/2, at user's need.

Features

- Explosion-proof sensor
- Five optional displays
- 2 respective set point relays
- Dual point & Differential Level measurement

Technical Specification

Physical

Dimension

Overall 240(D)x185(H) mm
Transducer 67(D)x160(H) mm(XDS800)

Mounting

1" PF

Weight

Nominal 3.5Kg

Sensor Material

PP

Performance

Accuracy

0.25% of measured range

Resolution

1mm

Measuring range

0.3m~8m(XDS800)

Beam Angle

4° at -3dB

Damping Rate

Adjustable 0.1m/min to 100m/min

Temperature Compensation

fully compensated

Environmental

IP Rating

IP68(Sensor)
IP65(Controller)

Temperature

-20°C~70°C(Sensor)
-20°C~60°C(Controller)

Pressure

Up to 2 Bar

Outputs

Analog Output

4~20mA into max 750 Ω

Communication

RS232, RS485 (Option)

Supply

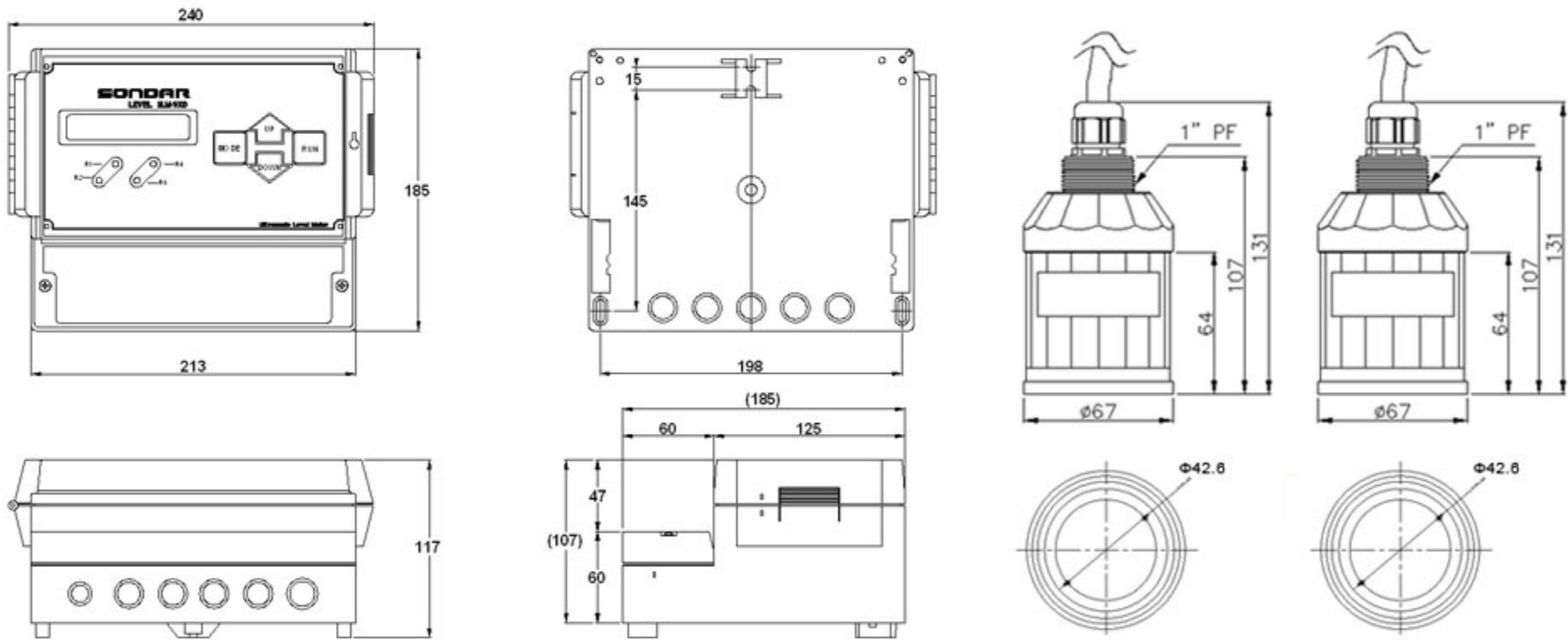
Power Supply

AC90~260V, DC 24V(option)

SONDAR Ultrasonic Level Meter
SONDAR2000

SONDAR

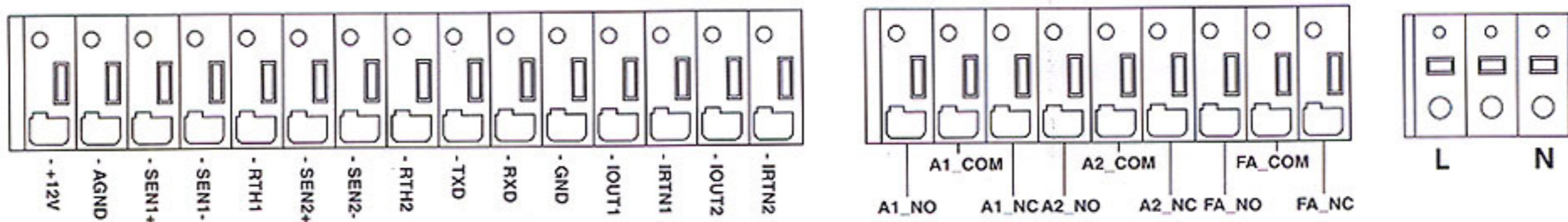
Dimensions



Controller

Sensor

Technical Connection



Ordering Code

